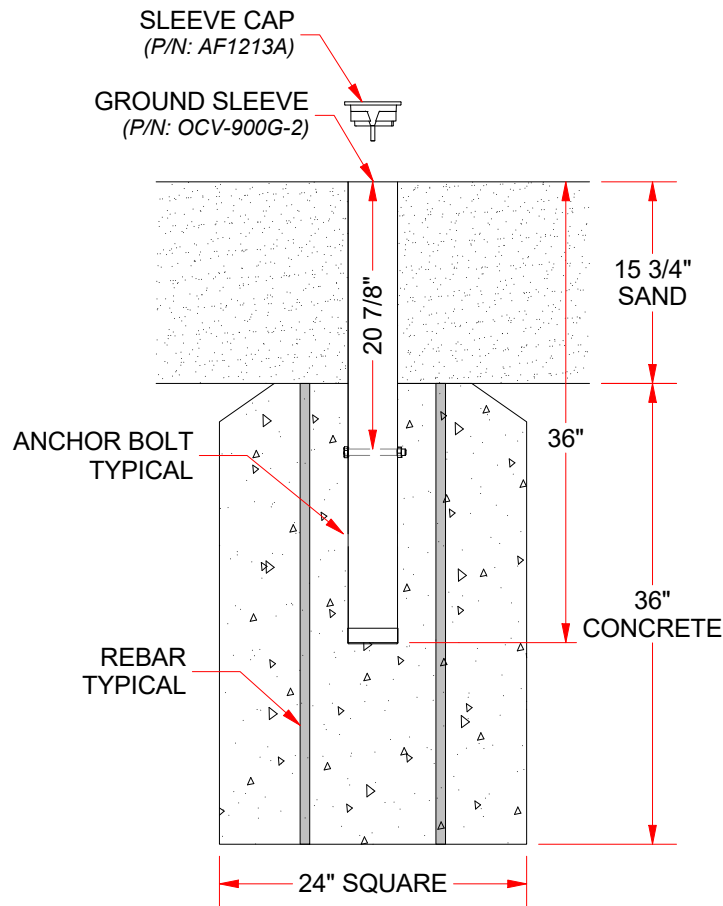
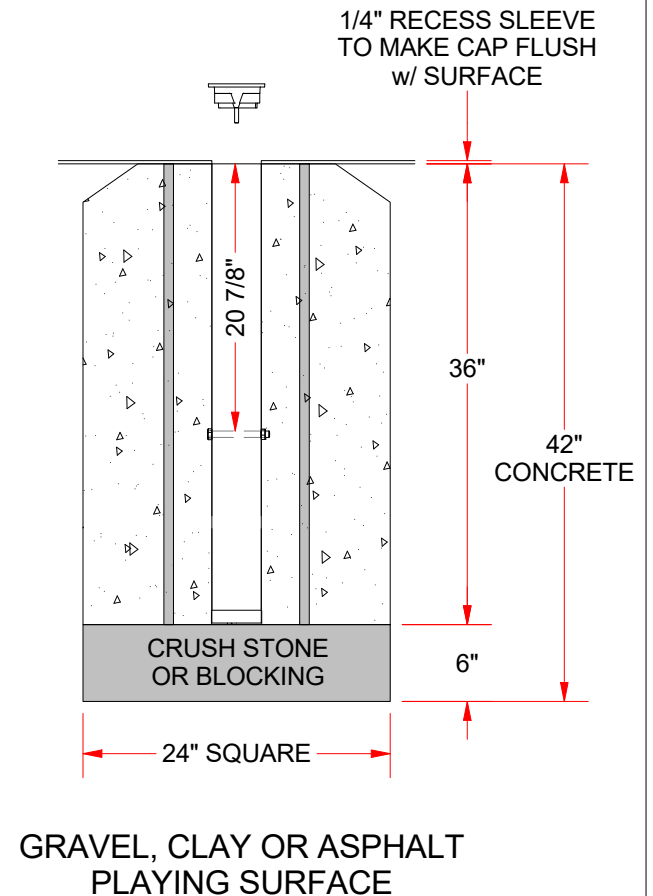


12" SAND-FILLED
PLAYING SURFACE



16" (15 3/4") SAND-FILLED
PLAYING SURFACE




GRAVEL, CLAY OR ASPHALT
PLAYING SURFACE

INSTALLATION INSTRUCTIONS:

1) Set ground sleeves exactly 36" on center. This may require the services of a qualified local contractor familiar with the soil conditions and the building codes in your area. The referenced minimum concrete dimensions are typical for average soil conditions, but unusual conditions may warrant modifications by the contractor.

Important: Proper installation of ground sleeves is essential to the successful performance of this unit. 3/4" x 36" Rebar, 4 places per footing shall be provided by installer.

Note: Concrete specified should be 4000# min. curing time should be a minimum of 14 days before putting it into service. It is recommended that the top of the footing be sloped as shown.

| | | |
|---|---|-----------------------|
|  976 Hartford Turnpike Waterford, CT 06385 USA (800)243-0533 Fax: (800)988-3363 www.jaypro.com | MODEL NUMBER: OBV-100G | CHECKED BY: WVB |
| | PRODUCT NAME: SEMI-PERMANENT VOLLEYBALL STANDARDS SLEEVE INSTALLATION INSTRUCTIONS | |
| DATE: 5/2/2018 | REV: - | DRAWN BY: Moune T. |
| | | SHEET: 1 OF 1 |